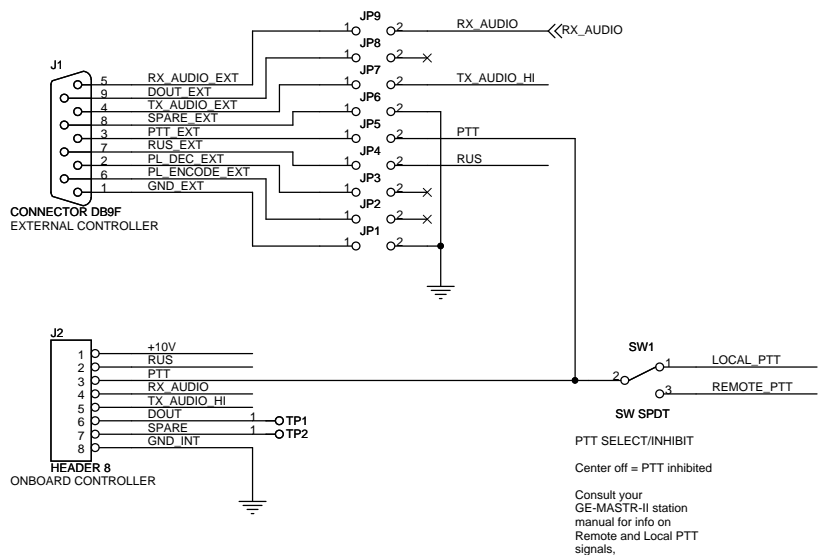


INSTALL JUMPERS TO ENABLE DESIRED SIGNALS



NOTES:

Do not install J1 (DB-9) if you intend to mount a controller to the card. Only install J1 if you intend to run an external controller from this jack.

You must install jumpers to enable J1. Use 22 AWG hookup wire to connect the signals as desired for your intended use.

The signals required for a repeater are noted on this drawing and wired for convenient access. All other signals are brought out to a test point for user access. Consult the GE-MASTR II Station Manual to identify these signals.

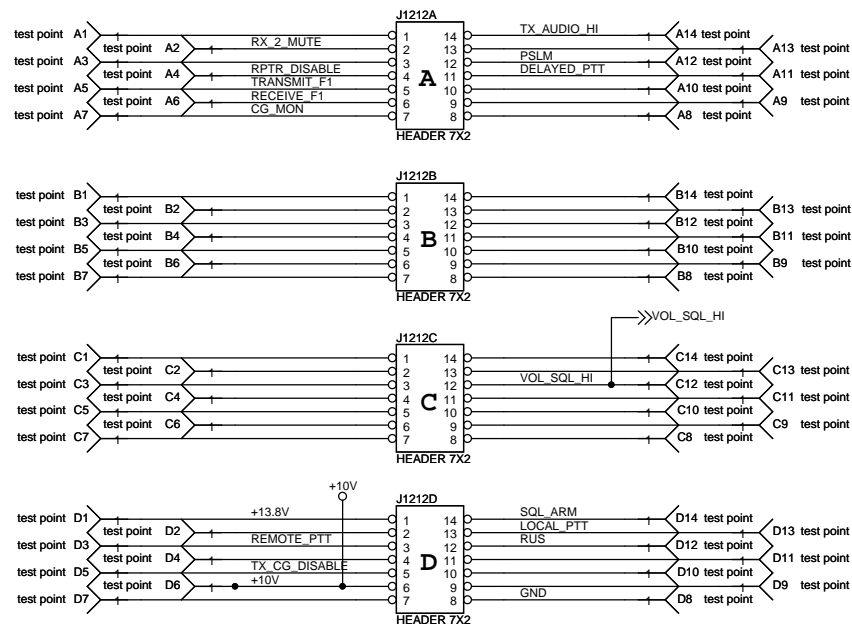
Insert card into far right hand "AUX CONTROL" slot J1212 for repeater control applications.

If the optional hi-pass CTCSS filter is required, the parts will require installation on the board. Please refer to the parts list shown on page 2 for part details. If the CTCSS filter is not required, then a jumper must be installed across the "OUT" holes of JP10 in order for audio to pass. The required parts are not supplied by NHRC.

Holes in a grid pattern are provided as a customer convenience.

Cards that have been soldered to are not returnable.

CARD EDGE FINGERS



Consult the GE MASTR-II Station Manual for signals not listed.

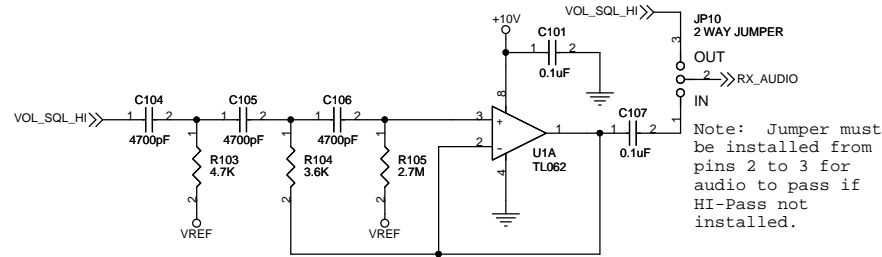
PLEASE READ ALL NOTES BEFORE BUILDING OR USING THIS KIT.

NOTICE

THIS DRAWING CONTAINS PROPRIETARY INFORMATION WHICH IS THE CONFIDENTIAL PROPERTY OF NHRC LLC. IT SHALL NOT BE COPIED, REPRODUCED, DISCLOSED, PUBLISHED OR USED IN PART OR WHOLE WITHOUT THE EXPRESSED WRITTEN PERMISSION OF NHRC LLC. SPECIFICATIONS SUBJECT TO CHANGE WITHOUT NOTICE OR OBLIGATION.

NHRC REPEATER CONTROLLERS		
415 Fourth Range Road Pembroke, NH 03275 603-485-2248 http://www.nhrc.net		
Title NHRC-M2SC (GE MASTR II Station Card)		
Size B	Document Number NHRC-M2SC	Rev C
Date: Monday, April 18, 2011	Sheet 1	of 2

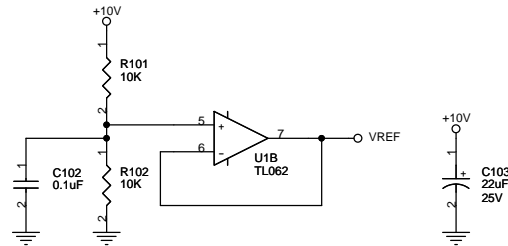
OPTIONAL HI-PASS CTCSS FILTER



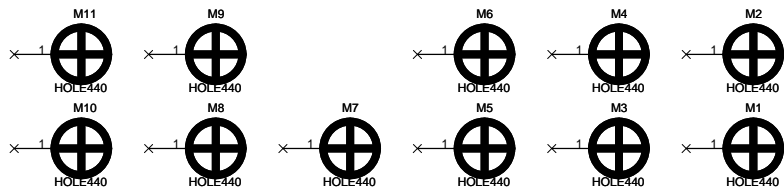
Note: Jumper must be installed from pins 2 to 3 for audio to pass if HI-Pass not installed.

HI-PASS CTCSS FILTER PARTS LIST

- C101, C102, C107 - Digi-Key 478-4855-ND
 - C103 - Digi-Key P10426TB-ND
 - C104, C105, C106 - Digi-Key 399-4186-ND
 - JP10 - Digi-Key WM4001-ND & S9000-ND
 - R101, R102 - Digi-Key 10KQBK-ND
 - R103 - Digi-Key 4.7KQBK-ND
 - R104 - Digi-Key 3.6KQBK-ND
 - R105 - Digi-Key 2.7MQBK-ND
 - U1 - Digi-Key 497-7657-5-ND
- These parts are not included in this kit.
Order from www.digikey.com



Controller Mounting Holes



**PLEASE READ ALL NOTES
BEFORE BUILDING OR
USING THIS KIT.**

NOTICE

THIS DRAWING CONTAINS PROPRIETARY INFORMATION WHICH IS THE CONFIDENTIAL PROPERTY OF NHRC LLC. IT SHALL NOT BE COPIED, REPRODUCED, DISCLOSED, PUBLISHED OR USED IN PART OR WHOLE WITHOUT THE EXPRESSED WRITTEN PERMISSION OF NHRC LLC. SPECIFICATIONS SUBJECT TO CHANGE WITHOUT NOTICE OR OBLIGATION.

NHRC REPEATER CONTROLLERS		
415 Fourth Range Road Pembroke, NH 03275 603-485-2248 http://www.nhrc.net		
Title NHRC-M2SC (GE MASTR II Station Card)		
Size B	Document Number NHRC-M2SC	Rev C
Date: Tuesday, April 19, 2011	Sheet 2	of 2